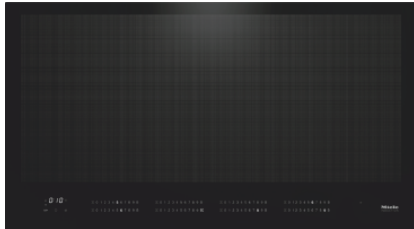


KM 7897 FL

Induction hob with onset controls  
with a width of 936mm and full-surface induction for maximum flexibility



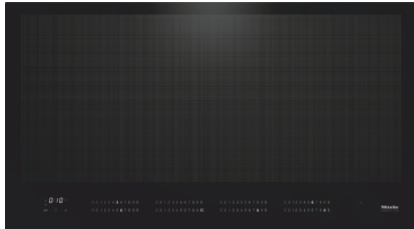
- Intuitive quick selection with numerical keybank - Smart Select White
- Intelligent pan recognition – for up to 6 pans
- Frameless for flush-fit or surface-mounted installation
- Cookware is moved around particularly quietly – SilentMove
- Communication with the hood - automatic function Con@ctivity

EAN: 4002516148869 / article number: 26789770D / material number: 11128780

<b>Heating type</b>	
Heating type	Induction
<b>Construction type</b>	
Independent of cooker	•
<b>Design</b>	
Elegant glass ceramic surface	•
Ceramic surface colour	Graphite black
Print design	Silent Move
Flush-fit installation	•
Surface-mounted installation	•
<b>Cooking zone details</b>	
Number of cooking areas	1
Maximum number of pans	6
<b>Cooking zone</b>	
Size in mm	870x380
Max. rating in W	2600
Max. Booster power rating in W	3300
Max. TwinBooster power rating in W	3650
<b>User convenience</b>	
Automatic function Con@ctivity 3.0	•
Operation via sensor controls	Smart Select White
Display colour	White
Pan and pan size recognition	•
Intelligent pan recognition	•
Positioning aid	•
Stop & Go function	•
Recall function	•
Minute minder	•
Safety switch-off	•
Auto heat-up	•
Keeping warm	•
Individual setting options (e.g. buzzers)	•
Wipe protection	•
<b>Cleaning convenience</b>	
Easy to clean ceramic glass	•
<b>Safety</b>	
Safety switch-off	•
Lock function	•
System lock	•
Integrated cooling fan	•
Overheating protection	•
Residual heat indicator	•

KM 7897 FL

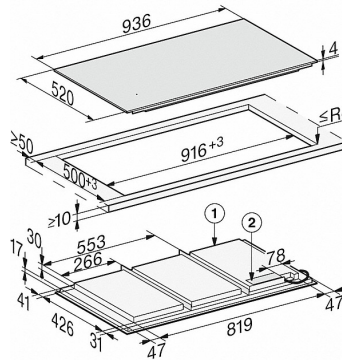
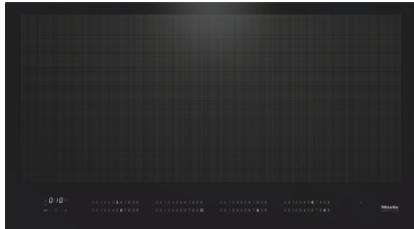
Induction hob with onset controls  
with a width of 936mm and full-surface induction for maximum flexibility



<b>Technical data</b>	
Dimensions in mm (width)	936
Dimensions in mm (height)	51
Casing height incl. connection box in mm	51
Dimensions in mm (depth)	520
Cutout dimensions in mm (width) with surface-mounted installation	916
Cutout dimensions in mm (depth) with surface-mounted installation	500
Internal cutout dimensions in mm (width) with flush installation	916
Internal cutout dimensions in mm (depth) with flush installation	500
External cutout dimensions in mm (width) with flush installation	940
External cutout dimensions in mm (depth) with flush installation	524
Weight in kg	21
Total rated load in kW	11,000
Voltage in V	230
Frequency in Hz	50-60
Connection cable length in m	1,4
<b>Standard accessories</b>	
Mains cable	•

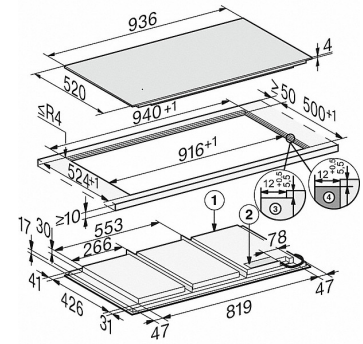
## KM 7897 FL

Induction hob with onset controls  
with a width of 936mm and full-surface induction for maximum flexibility



KM 7697 FL, KM 7897 FL (installation drawings) - onset

- 1) Front
- 2) Mains connection box with mains connection cable, L = 1440 mm, are enclosed loosely,



KM 7697 FL, KM 7897 FL (installation drawings) - flush-fit

- 1) Front
- 2) Mains connection box with mains connection cable, L = 1440 mm, are enclosed loosely
- 3) Stepped cut-out natural stone worktop
- 4) Wood support 12 mm (not supplied)