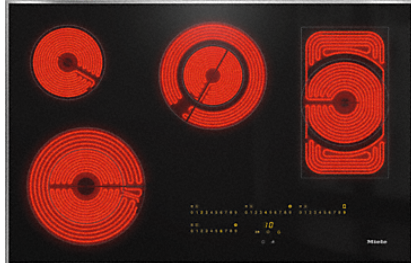


KM 6564 FR

Electric hob with onset controls  
806mm wide for extremely convenient cooking.



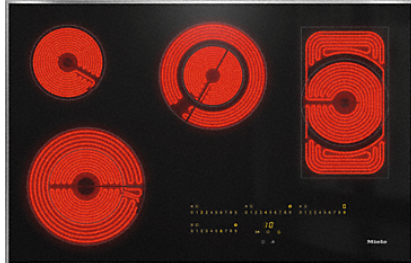
- Intuitive quick selection via number sequences – Smart Select
- Attractive design - 806mm wide with all-round frame
- Particularly versatile - 4cooking zones incl. 1 extended/2 Vario zones
- Unbeatably fast - 1 ExtraSpeed cooking zone
- Communication with the hood - automatic function Con@ctivity

EAN: 4002515996805 / article number: 26656400D / material number: 10882050

<b>Heating type</b>	
Heating type	Electrical
<b>Construction type</b>	
Independent of cooker	•
<b>Design</b>	
Elegant glass ceramic surface	•
Ceramic surface colour	Black
Stainless-steel frame	•
Surface-mounted installation	•
<b>Cooking zone details</b>	
Number of cooking zones	4
<b>Cooking zone</b>	
Position	front left
Type	ExtraSpeed
Size in mm	Ø 145 / Ø 230
Max. rating in W	1500/3200
Position	rear left
Type	Single-circuit ring
Size in mm	Ø 145
Max. rating in W	1200
Position	rear centre
Type	Dual-circuit ring
Size in mm	120/210 mm
Max. rating in W	750/2200
Position	rear right
Type	Casserole area
Size in mm	Ø 170 / 170x290
Max. rating in W	1500/2600
<b>User convenience</b>	
Automatic function Con@ctivity 3.0	•
Operation via sensor controls	Smart Select
Display colour	Yellow
Stop & Go function	•
Recall function	•
Extended cooking zone	•
Minute minder	•
Safety switch-off	•
Auto heat-up	•
Keeping warm	•
Individual setting options (e.g. buzzers)	•
Wipe protection	•
<b>Efficiency and sustainability</b>	
Residual heat utilisation	•
<b>Cleaning convenience</b>	
Easy to clean ceramic glass	•

KM 6564 FR

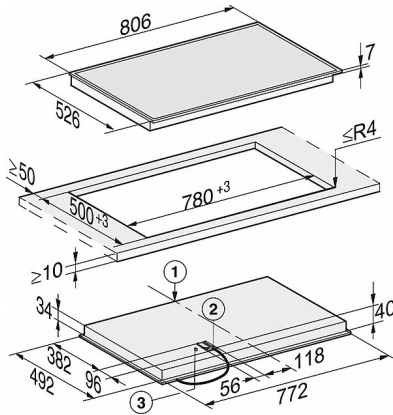
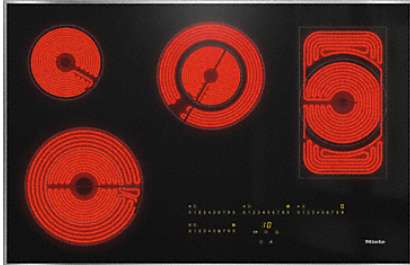
Electric hob with onset controls  
806mm wide for extremely convenient cooking.



<b>Safety</b>	
Safety switch-off	•
Lock function	•
System lock	•
Overheating protection	•
Residual heat indicator	•
<b>Technical data</b>	
Dimensions in mm (width)	806
Dimensions in mm (height)	50
Casing height incl. connection box in mm	43
Dimensions in mm (depth)	526
Cutout dimensions in mm (width) with surface-mounted installation	780
Cutout dimensions in mm (depth) with surface-mounted installation	500
Weight in kg	12
Total rated load in kW	9,200
Voltage in V	230
Frequency in Hz	50-60
Connection cable length in m	1,4
<b>Standard accessories</b>	
Razor-blade scraper	•
Mains cable	•

KM 6564 FR

Electric hob with onset controls  
806mm wide for extremely convenient cooking.



KM 6565 FR (Installation drawing)

- 1) Front
- 2) Mains connection box, built-in height 40 mm. Mains connection cable L = 1440 mm
- 3) Connection WLAN stick